



### FR COLLAR

#### INDEX FOR FIRE CLASSIFICATIONS

PVC-U and PVC-C pipes in flexible and rigid walls.....	page 2
PE, ABS and SAN+PVC pipes in flexible and rigid walls.....	page 3
PP pipes in flexible and rigid walls.....	page 3
PVC-U and PVC-C pipes in rigid walls.....	page 4
PE, ABS and SAN+PVC pipes in rigid walls.....	page 5
PP pipes in rigid walls.....	page 5
PVC-U and PVC-C pipes in floors.....	page 6
PE, ABS and SAN+PVC pipes in floors.....	page 7
PP pipes in floors.....	page 7

#### GENERAL PRODUCT DESCRIPTION

GRAFT® FR COLLAR is designed to maintain the fire resistance of fire rated walls and floors where these are breached by plastic pipes, and may be used in gypsum, masonry and concrete walls and floors.

Each pipe collar consists of a white coated circular steel shell that splits in two to fit around the service penetrations by means of a simple 'slide-lock' system. The steel shell contains a graphite based reactive material which reacts when exposed to heat closing the openings left by the softening plastic pipe in fire.

#### GENERAL GUIDE

**Minimum separations and limitations:** Services can be sealed as specified in the detailed drawings. Services within the GRAFT® FR COLLAR systems do not require a minimum separation, only requiring sufficient to securely fit the collars onto the substrate. For larger apertures other than described in these installation instructions, GRAFT® FR BOARD or FR MORTAR with FR PIPE WRAP should be used.

**Supporting constructions:** Flexible walls must have a minimum thickness of 100 mm and comprise steel studs or timber studs\*) lined on both faces with minimum 2 layers of 12.5 mm thick boards. Rigid walls must have a minimum thickness of 100 mm and comprise concrete, aerated concrete or masonry, with a minimum density of 650 kg/m<sup>3</sup>. Rigid floors must have a minimum thickness of 150 mm and comprise aerated concrete or concrete with a minimum density of 650 kg/m<sup>3</sup>. The supporting construction must be classified in accordance with EN 13501-2 for the required fire resistance period.

\*) Timber studs: no part of the penetration seal may be closer than 100 mm to a stud, and minimum 100 mm of insulation of class A1 or A2 according to EN 13501-1 must be provided within the cavity between the penetration seal and the stud.

#### CERTIFICATION

This Installation Instruction is based on the product's European Technical Assessment, issued in accordance with regulation (EU) No 305/2011, on the basis of ETAG 026-2 and 3, edition 2011, used as European Assessment Document (EAD).

Remark: As a part of our policy of on-going product development and testing, we reserve the right to modify, alter or change product specifications without giving notice. All information contained in this document is given in good faith and is provided for guidance only. Any drawings provided are for illustrative purposes only. As Polyseam has no control over the methods or competence of installation and of prevailing site conditions, no warranties, expressed or implied, are intended to be given as to the actual performance of the product mentioned or referred to herein and no liability whatsoever will be accepted for any loss, damage or injury arising from the use of the information given.



#### INSTALLATION

1. For sealing plastic pipes in floors, a single pipe collar is installed on the underside of the floor and for flexible and solid walls, a pipe collar is installed on both sides of the wall.

2. Before fitting the pipe collar ensure that any gaps between the pipe and the separating element are sealed as follows:

In gypsum walls, gaps between the pipe and the construction below 8mm must have a bead of GRAFT® FIRE INTUMESCENT SEALANT to cover the opening, and for gaps 8mm or above, the seal must be plugged with 25mm deep GRAFT® FIRE INTUMESCENT SEALANT.

In masonry/concrete walls, gaps between the pipe and the construction below 8mm must have a bead of GRAFT® FIRE INTUMESCENT SEALANT to cover the opening, and for gaps 8mm or above, the seal must be plugged with 20mm deep GRAFT® FIRE INTUMESCENT SEALANT on 20mm deep backing of stonewool.

In floors, gaps between the pipe and the construction below 10mm must have 20mm deep stonewool to plug the opening, and for gaps 10mm or above, the seal must be plugged with 10mm deep GRAFT® FIRE INTUMESCENT SEALANT on 40mm deep backing of stonewool.

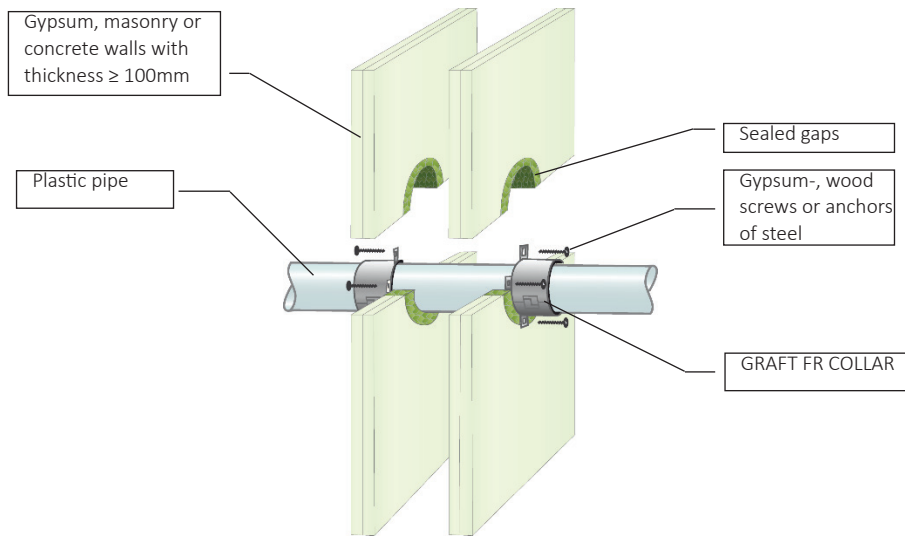
3. Place a pipe collar around the service penetration (pipe) and ensure that the fixing lugs are positioned tightly to the surface of the wall or the floor so that the anchors/fixings can be inserted fully.

4. Where the surface is uneven, apply a sealing bead of GRAFT® FIRE INTUMESCENT SEALANT between the wall/floor and the pipe collar.

5. Attach the pipe collar with steel screws, anchors or fixings that are suitable for the substrate that the pipe collar will be fitted to. For flexible walls use ≥ Ø4 mm gypsum-, wood screws or anchors with a length suitable for the number of boards that form the wall. For concrete/masonry walls and floors, use ≥ Ø4 x 50mm long masonry screws or expansion bolts.

6. On site where the penetration size is greater than the pipe diameter and/or the pipe is in an angle an oversized collar can be used. GRAFT® FR COLLAR are tested 'oversize', i.e. the internal diameter of the collar can be larger than the pipe.

## GRAFT FR COLLARS IN FLEXIBLE OR SOLID WALLS



PVC-U & PVC-C PIPES						
PIPE & COLLAR DESCRIPTIONS			FIRE CLASSIFICATIONS			
Pipe Diameter [mm]	Pipe Wall Thickness [mm]	Minimum Collar Height [mm]	C/C	U/C	C/U	U/U
32	2.4 – 4.6 *)	30	EI 60 (E 90)	EI 60 (E 90)	EI 60 (E 90)	EI 60 (E 90)
40	2.4 – 4.6 *)	30	EI 60 (E 90)	EI 60 (E 90)	EI 60 (E 90)	EI 60 (E 90)
50	2.4 – 4.6 *)	30	EI 60 (E 90)	EI 60 (E 90)	EI 60 (E 90)	EI 60 (E 90)
55	1.3 – 4.7	30	EI 60 (E 60)	EI 60 (E 60)	-	-
55	2.5 – 4.7	50	EI 60 (E 90)	EI 60 (E 90)	EI 60 (E 90)	EI 60 (E 90)
63	1.5 – 5.0	30	EI 60 (E 60)	EI 60 (E 60)	-	-
63	2.5 – 5.0	50	EI 60 (E 90)	EI 60 (E 90)	EI 60 (E 90)	EI 60 (E 90)
75	1.8 – 5.4	30	EI 60 (E 60)	EI 60 (E 60)	-	-
75	2.6 – 5.4	50	EI 60 (E 90)	EI 60 (E 90)	EI 60 (E 90)	EI 60 (E 90)
82	2.0 – 5.6	30	EI 60 (E 60)	EI 60 (E 60)	-	-
82	2.6 – 5.6	50	EI 60 (E 90)	EI 60 (E 90)	EI 60 (E 90)	EI 60 (E 90)
90	2.2 – 5.9	30	EI 60 (E 60)	EI 60 (E 60)	-	-
90	2.6 – 5.9	50	EI 60 (E 90)	EI 60 (E 90)	EI 60 (E 90)	EI 60 (E 90)
110	2.7 – 6.6	30	EI 60 (E 60)	EI 60 (E 60)	-	-
110	2.7 – 6.6	50	EI 60 (E 90)	EI 60 (E 90)	EI 60 (E 90)	EI 60 (E 90)
125	2.9 – 7.4	50	EI 60 (E 60)	EI 60 (E 60)	-	-
125	2.9 – 7.4	60	EI 60 (E 60)	EI 60 (E 60)	EI 60 (E 60)	EI 60 (E 60)
140	3.0 – 8.3	50	EI 60 (E 60)	EI 60 (E 60)	-	-
140	3.0 – 8.3	60	EI 60 (E 60)	EI 60 (E 60)	EI 60 (E 60)	EI 60 (E 60)
160	3.2 – 9.5	50	EI 90 (E 90)	EI 90 (E 90)	-	-
160	3.2 – 9.5	60	EI 60 (E 60)	EI 60 (E 60)	EI 60 (E 60)	EI 60 (E 60)
315	9.2	75	EI 60 (E 60)	-	-	-

\*) 1.2 – 4.6 mm pipe wall thicknesses are allowed in C/C and U/C configurations.

Remark: As a part of our policy of on-going product development and testing, we reserve the right to modify, alter or change product specifications without giving notice. All information contained in this document is given in good faith and is provided for guidance only. Any drawings provided are for illustrative purposes only. As Polyseam has no control over the methods or competence of installation and of prevailing site conditions, no warranties, expressed or implied, are intended to be given as to the actual performance of the product mentioned or referred to herein and no liability whatsoever will be accepted for any loss, damage or injury arising from the use of the information given.

## GRAFT FR COLLARS IN FLEXIBLE OR SOLID WALLS

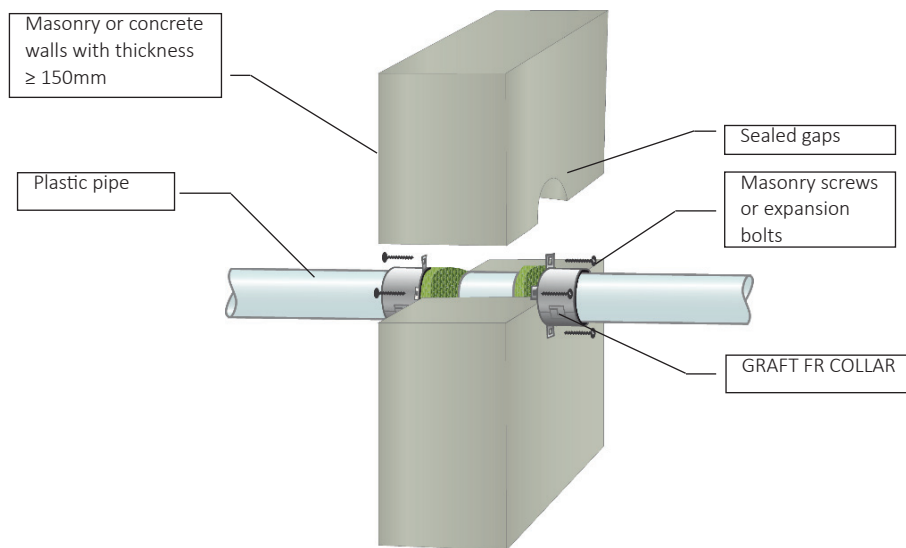
PE (LD-PE, MD-PE, HD-PE), ABS & SAN+PVC PIPES						
PIPE & COLLAR DESCRIPTIONS			FIRE CLASSIFICATIONS			
Pipe Diameter [mm]	Pipe Wall Thickness [mm]	Minimum Collar Height [mm]	C/C	U/C	C/U	U/U
32	3.0 – 5.6	30	EI 60 (E 90)	EI 60 (E 90)	EI 45 (E 90)	EI 45 (E 90)
40	3.0 – 5.6	30	EI 60 (E 90)	EI 60 (E 90)	EI 45 (E 90)	EI 45 (E 90)
50	3.0 – 5.6	30	EI 60 (E 90)	EI 60 (E 90)	EI 45 (E 90)	EI 45 (E 90)
55	3.1 – 6.0	30	EI 60 (E 60)	EI 60 (E 60)	-	-
55	3.1 – 5.0	50	EI 60 (E 60)	EI 60 (E 60)	EI 45 (E 90)	EI 45 (E 90)
63	3.1 – 6.6	30	EI 60 (E 60)	EI 60 (E 60)	-	-
63	3.1 – 5.7	50	EI 60 (E 60)	EI 60 (E 60)	EI 45 (E 90)	EI 45 (E 90)
75	3.2 – 7.5	30	EI 60 (E 60)	EI 60 (E 60)	-	-
75	3.2 – 6.8	50	EI 60 (E 60)	EI 60 (E 60)	EI 45 (E 90)	EI 45 (E 90)
82	3.2 – 8.0	30	EI 60 (E 60)	EI 60 (E 60)	-	-
82	3.2 – 7.4	50	EI 60 (E 60)	EI 60 (E 60)	EI 45 (E 90)	EI 45 (E 90)
90	3.2 – 8.3	30	EI 60 (E 60)	EI 60 (E 60)	-	-
90	3.3 – 8.1	50	EI 60 (E 60)	EI 60 (E 60)	EI 45 (E 90)	EI 45 (E 90)
110	3.4 – 10.0	30	EI 60 (E 60)	EI 60 (E 60)	-	-
110	3.4 – 10.0	50	EI 60 (E 90)	EI 60 (E 90)	EI 60 (E 90)	EI 60 (E 90)
125	4.2 – 9.8	50	EI 60 (E 60)	EI 60 (E 60)	-	-
125	4.0 – 11.5	60	EI 60 (E 90)	EI 60 (E 90)	EI 60 (E 90)	EI 60 (E 90)
140	5.1 – 9.6	50	EI 60 (E 60)	EI 60 (E 60)	-	-
140	4.4 – 12.8	60	EI 60 (E 90)	EI 60 (E 90)	EI 60 (E 90)	EI 60 (E 90)
160	6.2 – 9.5	50	EI 60 (E 60)	EI 60 (E 60)	-	-
160	4.9 – 14.6	60	EI 90 (E 90)	EI 90 (E 90)	EI 90 (E 90)	EI 90 (E 90)
200	18.2	75	EI 60 (E 60)	-	-	-
250	22.7	75	EI 60 (E 60)	-	-	-

PP PIPES						
PIPE & COLLAR DESCRIPTIONS			FIRE CLASSIFICATIONS			
Pipe Diameter [mm]	Pipe Wall Thickness [mm]	Minimum Collar Height [mm]	C/C	U/C	C/U	U/U
32	1.8 – 5.6	30	EI 60 (E 90)	EI 60 (E 90)	EI 60 (E 90)	EI 60 (E 90)
40	1.8 – 5.6	30	EI 60 (E 90)	EI 60 (E 90)	EI 60 (E 90)	EI 60 (E 90)
50	1.8 – 5.6	30	EI 60 (E 90)	EI 60 (E 90)	EI 60 (E 90)	EI 60 (E 90)
55	2.0 – 5.7	30	EI 60 (E 90)	EI 60 (E 90)	-	-
55	2.0 – 4.7 *	50	EI 60 (E 90)	EI 60 (E 90)	EI 60 (E 90)	EI 60 (E 90)
63	2.2 – 5.8	30	EI 60 (E 90)	EI 60 (E 90)	-	-
63	2.2 – 5.0 *	50	EI 60 (E 90)	EI 60 (E 90)	EI 60 (E 90)	EI 60 (E 90)
75	2.5 – 5.9	30	EI 60 (E 90)	EI 60 (E 90)	-	-
75	2.5 – 5.4 *	50	EI 60 (E 90)	EI 60 (E 90)	EI 60 (E 90)	EI 60 (E 90)
82	2.7 – 6.0	30	EI 60 (E 90)	EI 60 (E 90)	-	-
82	2.7 – 5.6 *	50	EI 60 (E 90)	EI 60 (E 90)	EI 60 (E 90)	EI 60 (E 90)
90	2.9 – 6.1	30	EI 60 (E 90)	EI 60 (E 90)	-	-
90	2.9 – 5.9 *	50	EI 60 (E 90)	EI 60 (E 90)	EI 60 (E 90)	EI 60 (E 90)
110	3.4 – 6.3	30	EI 60 (E 90)	EI 60 (E 90)	-	-
110	3.4 – 6.6 *	50	EI 60 (E 90)	EI 60 (E 90)	EI 60 (E 90)	EI 60 (E 90)
125	3.8 – 11.7	50	EI 60 (E 60)	EI 60 (E 60)	-	-
125	3.9 – 9.0	60	EI 60 (E 60)	EI 60 (E 60)	EI 60 (E 60)	EI 60 (E 60)
140	4.2 – 12.9	50	EI 60 (E 60)	EI 60 (E 60)	-	-
140	4.4 – 11.4	60	EI 60 (E 60)	EI 60 (E 60)	EI 60 (E 60)	EI 60 (E 60)
160	4.9 – 14.6	50	EI 60 (E 60)	EI 60 (E 60)	-	-
160	4.9 – 14.6	60	EI 60 (E 60)	EI 60 (E 60)	EI 60 (E 60)	EI 60 (E 60)

\* ) Thicker pipe wall thicknesses are allowed in C/C and U/C configurations.

Remark: As a part of our policy of on-going product development and testing, we reserve the right to modify, alter or change product specifications without giving notice. All information contained in this document is given in good faith and is provided for guidance only. Any drawings provided are for illustrative purposes only. As Polyseam has no control over the methods or competence of installation and of prevailing site conditions, no warranties, expressed or implied, are intended to be given as to the actual performance of the product mentioned or referred to herein and no liability whatsoever will be accepted for any loss, damage or injury arising from the use of the information given.

## GRAFT FR COLLARS IN SOLID WALLS



PVC-U & PVC-C PIPES						
PIPE & COLLAR DESCRIPTIONS			FIRE CLASSIFICATIONS			
Pipe Diameter [mm]	Pipe Wall Thickness [mm]	Minimum Collar Height [mm]	C/C	U/C	C/U	U/U
32	2.0 – 3.7	50	EI 180 (E 240)	EI 180 (E 240)	EI 180 (E 240)	EI 180 (E 240)
40	2.0 – 3.7	50	EI 180 (E 240)	EI 180 (E 240)	EI 180 (E 240)	EI 180 (E 240)
50	2.0 – 3.7	50	EI 180 (E 240)	EI 180 (E 240)	EI 180 (E 240)	EI 180 (E 240)
55	2.1 – 3.9	50	EI 180 (E 180)	EI 180 (E 180)	EI 180 (E 180)	EI 180 (E 180)
63	2.2 – 4.3	50	EI 180 (E 180)	EI 180 (E 180)	EI 180 (E 180)	EI 180 (E 180)
75	2.3 – 4.9	50	EI 180 (E 180)	EI 180 (E 180)	EI 180 (E 180)	EI 180 (E 180)
82	2.4 – 5.2	50	EI 180 (E 180)	EI 180 (E 180)	EI 180 (E 180)	EI 180 (E 180)
90	2.5 – 5.6	50	EI 180 (E 180)	EI 180 (E 180)	EI 180 (E 180)	EI 180 (E 180)
110	2.7 – 6.6	50	EI 180 (E 180)	EI 180 (E 180)	EI 180 (E 180)	EI 180 (E 180)
125	3.1 – 7.5	60	EI 240 (E 240)	EI 240 (E 240)	EI 240 (E 240)	EI 240 (E 240)
140	3.4 – 8.4	60	EI 240 (E 240)	EI 240 (E 240)	EI 240 (E 240)	EI 240 (E 240)
160	4.0 – 9.5	60	EI 240 (E 240)	EI 240 (E 240)	EI 240 (E 240)	EI 240 (E 240)
315	9.2	75	EI 120 (E 120)	-	-	-

Remark: As a part of our policy of on-going product development and testing, we reserve the right to modify, alter or change product specifications without giving notice. All information contained in this document is given in good faith and is provided for guidance only. Any drawings provided are for illustrative purposes only. As Polyseam has no control over the methods or competence of installation and of prevailing site conditions, no warranties, expressed or implied, are intended to be given as to the actual performance of the product mentioned or referred to herein and no liability whatsoever will be accepted for any loss, damage or injury arising from the use of the information given.

## GRAFT FR COLLARS IN SOLID WALLS

### PE (LD-PE, MD-PE, HD-PE), ABS & SAN+PVC Pipes

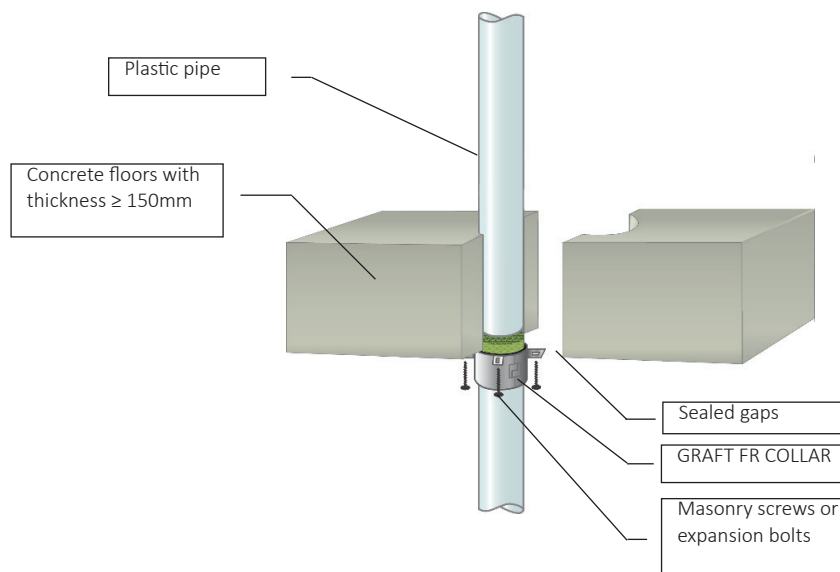
PIPE & COLLAR DESCRIPTIONS			FIRE CLASSIFICATIONS			
Pipe Diameter [mm]	Pipe Wall Thickness [mm]	Minimum Collar Height [mm]	C/C	U/C	C/U	U/U
32	3.0 – 4.6	50	EI 240 (E 240)	EI 240 (E 240)	EI 240 (E 240)	EI 240 (E 240)
40	3.0 – 4.6	50	EI 240 (E 240)	EI 240 (E 240)	EI 240 (E 240)	EI 240 (E 240)
50	3.0 – 4.6	50	EI 240 (E 240)	EI 240 (E 240)	EI 240 (E 240)	EI 240 (E 240)
55	3.1 – 4.5	50	EI 180 (E 240)	EI 180 (E 240)	EI 180 (E 240)	EI 180 (E 240)
63	3.1 – 4.3	50	EI 180 (E 240)	EI 180 (E 240)	EI 180 (E 240)	EI 180 (E 240)
75	3.2 – 4.1	50	EI 180 (E 240)	EI 180 (E 240)	EI 180 (E 240)	EI 180 (E 240)
82	3.3 – 3.9	50	EI 180 (E 240)	EI 180 (E 240)	EI 180 (E 240)	EI 180 (E 240)
90	3.3 – 3.8	50	EI 180 (E 240)	EI 180 (E 240)	EI 180 (E 240)	EI 180 (E 240)
110	3.4 – 3.4	50	EI 180 (E 240)	EI 180 (E 240)	EI 180 (E 240)	EI 180 (E 240)
125	3.9 – 5.2	60	EI 180 (E 180)	EI 180 (E 180)	EI 180 (E 180)	EI 180 (E 180)
140	4.3 – 7.0	60	EI 180 (E 180)	EI 180 (E 180)	EI 180 (E 180)	EI 180 (E 180)
160	4.9 – 9.5	60	EI 180 (E 180)	EI 180 (E 180)	EI 180 (E 180)	EI 180 (E 180)
200	18.2	75	EI 60 (E 60)	-	-	-
250	22.7	75	EI 90 (E 120)	-	-	-

### PP PIPES

PIPE & COLLAR DESCRIPTIONS			Fire Classifications			
Pipe Diameter [mm]	Pipe Wall Thickness [mm]	Minimum Collar Height [mm]	C/C	U/C	C/U	U/U
32	1.6 – 5.5	30	EI 240 (E 240)	EI 240 (E 240)	EI 240 (E 240)	EI 240 (E 240)
40	1.6 – 5.5	30	EI 240 (E 240)	EI 240 (E 240)	EI 240 (E 240)	EI 240 (E 240)
50	1.6 – 5.5	30	EI 240 (E 240)	EI 240 (E 240)	EI 240 (E 240)	EI 240 (E 240)
55	1.7 – 5.9	50	EI 240 (E 240)	EI 240 (E 240)	EI 60 (E 240)	EI 60 (E 240)
63	1.8 – 6.5	50	EI 240 (E 240)	EI 240 (E 240)	EI 60 (E 240)	EI 60 (E 240)
75	2.1 – 7.3	50	EI 240 (E 240)	EI 240 (E 240)	EI 60 (E 240)	EI 60 (E 240)
82	2.2 – 7.9	50	EI 240 (E 240)	EI 240 (E 240)	EI 60 (E 240)	EI 60 (E 240)
90	2.3 – 8.5	50	EI 240 (E 240)	EI 240 (E 240)	EI 60 (E 240)	EI 60 (E 240)
110	2.7 – 10.0	50	EI 240 (E 240)	EI 240 (E 240)	EI 60 (E 240)	EI 60 (E 240)
125	3.3 – 11.4	60	EI 180 (E 240)	EI 180 (E 240)	EI 60 (E 240)	EI 60 (E 240)
140	4.0 – 12.8	60	EI 180 (E 240)	EI 180 (E 240)	EI 60 (E 240)	EI 60 (E 240)
160	4.9 – 14.6	60	EI 180 (E 240)	EI 180 (E 240)	EI 180 (E 240)	EI 180 (E 240)

Remark: As a part of our policy of on-going product development and testing, we reserve the right to modify, alter or change product specifications without giving notice. All information contained in this document is given in good faith and is provided for guidance only. Any drawings provided are for illustrative purposes only. As Polyseam has no control over the methods or competence of installation and of prevailing site conditions, no warranties, expressed or implied, are intended to be given as to the actual performance of the product mentioned or referred to herein and no liability whatsoever will be accepted for any loss, damage or injury arising from the use of the information given.

## GRAFT FR COLLARS IN SOLID WALLS



PVC-U & PVC-C PIPES						
PIPE & COLLAR DESCRIPTIONS			FIRE CLASSIFICATIONS			
Pipe Diameter [mm]	Pipe Wall Thickness [mm]	Minimum Collar Height [mm]	C/C	U/C	C/U	U/U
32	1.9 – 3.7	30	EI 60 (E 90)	EI 60 (E 90)	EI 60 (E 90)	EI 60 (E 90)
32	2.0 – 3.7	50	EI 120 (E 120)	EI 120 (E 120)	EI 60 (E 90)	EI 60 (E 90)
40	1.9 – 3.7	30	EI 60 (E 90)	EI 60 (E 90)	EI 60 (E 90)	EI 60 (E 90)
40	2.0 – 3.7	50	EI 120 (E 120)	EI 120 (E 120)	EI 60 (E 90)	EI 60 (E 90)
50	1.9 – 3.7	30	EI 60 (E 90)	EI 60 (E 90)	EI 60 (E 90)	EI 60 (E 90)
50	2.0 – 3.7	50	EI 120 (E 120)	EI 120 (E 120)	EI 60 (E 90)	EI 60 (E 90)
55	2.1 – 3.9	30	EI 60 (E 60)	EI 60 (E 60)	EI 60 (E 60)	EI 60 (E 60)
55	2.4 – 4.3	50	EI 120 (E 120)	EI 120 (E 120)	EI 60 (E 60)	EI 60 (E 60)
63	2.2 – 4.3	30	EI 60 (E 60)	EI 60 (E 60)	EI 60 (E 60)	EI 60 (E 60)
63	3.0 – 4.6	50	EI 120 (E 120)	EI 120 (E 120)	EI 60 (E 60)	EI 60 (E 60)
75	2.5 – 4.9	30	EI 60 (E 60)	EI 60 (E 60)	EI 60 (E 60)	EI 60 (E 60)
75	3.9 – 4.9	50	EI 120 (E 120)	EI 120 (E 120)	EI 60 (E 60)	EI 60 (E 60)
82	2.6 – 5.2	30	EI 60 (E 60)	EI 60 (E 60)	EI 60 (E 60)	EI 60 (E 60)
82	4.5 – 5.2	50	EI 120 (E 120)	EI 120 (E 120)	EI 60 (E 60)	EI 60 (E 60)
90	2.8 – 5.6	30	EI 60 (E 60)	EI 60 (E 60)	EI 60 (E 60)	EI 60 (E 60)
90	5.1 – 5.6	50	EI 120 (E 120)	EI 120 (E 120)	EI 60 (E 60)	EI 60 (E 60)
110	3.2 – 6.6	30	EI 60 (E 60)	EI 60 (E 60)	EI 60 (E 60)	EI 60 (E 60)
110	6.6 – 6.6	50	EI 120 (E 120)	EI 120 (E 120)	EI 60 (E 60)	EI 60 (E 60)
125	3.2 – 7.4	60	EI 120 (E 120)	EI 120 (E 120)	EI 60 (E 60)	EI 60 (E 60)
140	3.2 – 8.3	60	EI 120 (E 120)	EI 120 (E 120)	EI 60 (E 60)	EI 60 (E 60)
160	3.2 – 9.5	50	EI 90 (E 180)	EI 90 (E 180)	-	-
160	3.2 – 9.5	60	EI 120 (E 120)	EI 120 (E 120)	EI 60 (E 60)	EI 60 (E 60)

Remark: As a part of our policy of on-going product development and testing, we reserve the right to modify, alter or change product specifications without giving notice. All information contained in this document is given in good faith and is provided for guidance only. Any drawings provided are for illustrative purposes only. As Polyseam has no control over the methods or competence of installation and of prevailing site conditions, no warranties, expressed or implied, are intended to be given as to the actual performance of the product mentioned or referred to herein and no liability whatsoever will be accepted for any loss, damage or injury arising from the use of the information given.

## GRAFT FR COLLARS IN FLOORS

PE (LD-PE, MD-PE, HD-PE), ABS & SAN+PVC PIPES						
PIPE & COLLAR DESCRIPTIONS			FIRE CLASSIFICATIONS			
Pipe Diameter [mm]	Pipe Wall Thickness [mm]	Minimum Collar Height [mm]	C/C	U/C	C/U	U/U
32	3.0 – 4.6	30	EI 60 (E 60)	EI 60 (E 60)	EI 60 (E 60)	EI 60 (E 60)
32	3.0 – 4.6	50	EI 120 (E 120)	EI 120 (E 120)	EI 60 (E 60)	EI 60 (E 60)
40	3.0 – 4.6	30	EI 60 (E 60)	EI 60 (E 60)	EI 60 (E 60)	EI 60 (E 60)
40	3.0 – 4.6	50	EI 120 (E 120)	EI 120 (E 120)	EI 60 (E 60)	EI 60 (E 60)
50	3.0 – 4.6	30	EI 60 (E 60)	EI 60 (E 60)	EI 60 (E 60)	EI 60 (E 60)
50	3.0 – 4.6	50	EI 120 (E 120)	EI 120 (E 120)	EI 60 (E 60)	EI 60 (E 60)
55	3.1 – 5.1	50	EI 120 (E 120)	EI 120 (E 120)	EI 60 (E 60)	EI 60 (E 60)
63	3.1 – 5.8	50	EI 120 (E 120)	EI 120 (E 120)	EI 60 (E 60)	EI 60 (E 60)
75	3.2 – 6.9	50	EI 120 (E 120)	EI 120 (E 120)	EI 60 (E 60)	EI 60 (E 60)
82	3.3 – 7.5	50	EI 120 (E 120)	EI 120 (E 120)	EI 60 (E 60)	EI 60 (E 60)
90	3.3 – 8.2	50	EI 120 (E 120)	EI 120 (E 120)	EI 60 (E 60)	EI 60 (E 60)
110	3.4 – 10.0	50	EI 120 (E 120)	EI 120 (E 120)	EI 60 (E 60)	EI 60 (E 60)
125	3.9 – 11.3	50	EI 120 (E 120)	EI 120 (E 120)	-	-
125	3.9 – 11.3	60	EI 120 (E 120)	EI 120 (E 120)	EI 60 (E 60)	EI 60 (E 60)
140	4.4 – 12.7	50	EI 120 (E 120)	EI 120 (E 120)	-	-
140	4.4 – 12.7	60	EI 120 (E 120)	EI 120 (E 120)	EI 60 (E 60)	EI 60 (E 60)
160	4.9 – 14.7	50	EI 120 (E 180)	EI 120 (E 180)	-	-
160	4.9 – 14.6	60	EI 120 (E 180)	EI 120 (E 180)	EI 60 (E 60)	EI 60 (E 60)

PP PIPES						
PIPE & COLLAR DESCRIPTIONS			FIRE CLASSIFICATIONS			
Pipe Diameter [mm]	Pipe Wall Thickness [mm]	Minimum Collar Height [mm]	C/C	U/C	C/U	U/U
32	1.8 – 4.6	30	EI 120 (E 120)	EI 120 (E 120)	EI 120 (E 120)	EI 120 (E 120)
40	1.8 – 4.6	30	EI 120 (E 120)	EI 120 (E 120)	EI 120 (E 120)	EI 120 (E 120)
50	1.8 – 4.6	30	EI 120 (E 120)	EI 120 (E 120)	EI 120 (E 120)	EI 120 (E 120)
55	1.9 – 4.7	50	EI 120 (E 120)	EI 120 (E 120)	EI 60 (E 60)	EI 60 (E 60)
63	2.0 – 5.0	50	EI 120 (E 120)	EI 120 (E 120)	EI 60 (E 60)	EI 60 (E 60)
75	2.2 – 5.4	50	EI 120 (E 120)	EI 120 (E 120)	EI 60 (E 60)	EI 60 (E 60)
82	2.3 – 5.6	50	EI 120 (E 120)	EI 120 (E 120)	EI 60 (E 60)	EI 60 (E 60)
90	2.5 – 5.9	50	EI 120 (E 120)	EI 120 (E 120)	EI 60 (E 60)	EI 60 (E 60)
110	2.7 – 6.6	50	EI 120 (E 120)	EI 120 (E 120)	EI 60 (E 60)	EI 60 (E 60)
125	4.7 – 11.4	50	EI 60 (E 60)	EI 60 (E 60)	-	-
125	4.7 – 8.9	60	EI 120 (E 120)	EI 120 (E 120)	-	-
140	6.8 – 12.8	50	EI 60 (E 60)	EI 60 (E 60)	-	-
140	6.8 – 11.2	60	EI 120 (E 120)	EI 120 (E 120)	-	-
160	9.5 – 14.6	50	EI 60 (E 60)	EI 60 (E 60)	-	-
160	9.5 – 14.6	60	EI 180 (E 180)	EI 180 (E 180)	-	-

Remark: As a part of our policy of on-going product development and testing, we reserve the right to modify, alter or change product specifications without giving notice. All information contained in this document is given in good faith and is provided for guidance only. Any drawings provided are for illustrative purposes only. As Polyseam has no control over the methods or competence of installation and of prevailing site conditions, no warranties, expressed or implied, are intended to be given as to the actual performance of the product mentioned or referred to herein and no liability whatsoever will be accepted for any loss, damage or injury arising from the use of the information given.